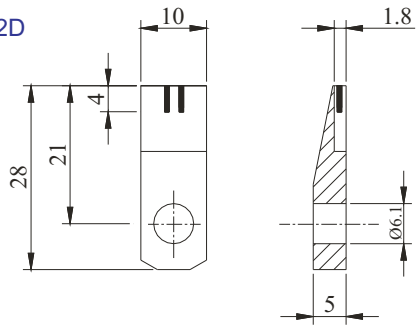
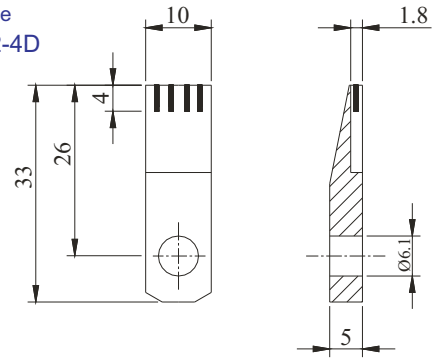


MCD Dressing Blades

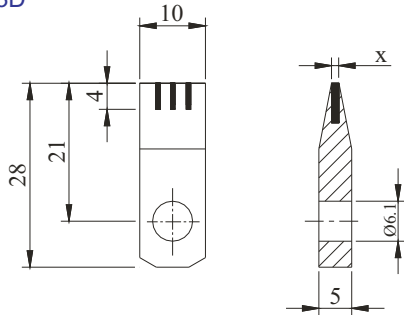
Tool Code
MCSB1-2D



Tool Code
MCSB2-4D



Tool Code
MCCB1-3D



Tool Code
MCSB5-5D

